

BL6 Wall Lamp - Ø16, EU

Robert Dudley Best - 1930



ITEM NUMBER

BL6 Wall Lamp - Ø16, EU (Base: Black Brass, Shade: Bone China)	10010174
BL6 Wall Lamp - Ø16, EU (Base: Black Brass, Shade: Classic White Semi Matt)	10010173
BL6 Wall Lamp - Ø16, EU (Base: Black Brass, Shade: Black Brass)	10010172
BL6 Wall Lamp - Ø16, EU (Base: Brass, Shade: Soft Black Semi Matt)	10010186
BL6 Wall Lamp - Ø16, EU (Base: Brass, Shade: Grey Semi Matt)	10010190
BL6 Wall Lamp - Ø16, EU (Base: Brass, Shade: Shiny Brass)	10010189
BL6 Wall Lamp - Ø16, EU (Base: Brass, Shade: Bone China)	10010188
BL6 Wall Lamp - Ø16, EU (Base: Brass, Shade: Soft White Semi Matt)	10010187
BL6 Wall Lamp - Ø16, EU (Base: Chrome, Shade: Bone China)	10010205
BL6 Wall Lamp - Ø16, EU (Base: Chrome, Shade: Chrome)	10010209
BL6 Wall Lamp - Ø16, EU (Base: Chrome, Shade: Soft White Semi Matt)	10010206
BL6 Wall Lamp - Ø16, EU (Base: Chrome, Shade: Black Semi Matt)	10010208

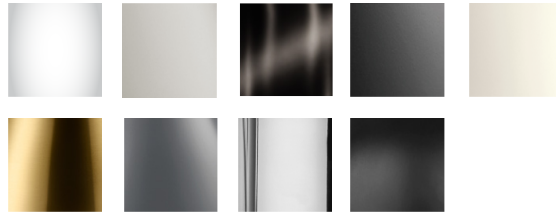
DESCRIPTION

The timeless Bestlite BL6 Wall Lamp was designed in 1930 by Robert Dudley Best, a British designer highly influenced by the school of Bauhaus. Being in continuous production ever since its origin, the Bestlite BL6 Wall Lamp stays true to its industrial roots and original design. With its mobile arm and shade, the wall lamp is perfect for the hallway, by the desk, as a bedside lamp or in the kitchen where the light needs to be directed. The Bestlite lamp design was first adopted by garages and the Royal Air Force engineering departments due to its great functionality. A feature in Architects Journal lauding Bestlite with the title of the first evidence of Bauhaus in Britain brought the lamp to the attention of the design conscious. Public demand for the Bestlite lamps soon followed and, when Winston Churchill personally chose the Bestlite BL1 Table Lamp for his desk, Bestlite's iconic status was secured. Bestlite is held in permanent collections at both the Victoria & Albert Museum and the Design Museum in London. Loved by architects, designers and design aficionados throughout its long history, today, Bestlite has become a contemporary classic.

Materials & Finishes

SHADE FINISH

Bone China, Classic White Semi Matt (RAL 9003), Black Brass, Soft Black Semi Matt, Soft White Semi Matt, Shiny Brass, Grey Semi Matt (RAL 2604005), Chrome, Black Semi Matt



BASE FINISH

Chrome, Brass, Black Brass



CORD SHAPE

Round

CORD COLOUR

Black textile on black brass and chrome base, gold textile on brass base

Dimensions & Weight

LAMP HEIGHT

15 + 42 cm / 5.9 + 16.5 in

SHADE DIAMETER

Ø 16 cm / Ø 6.3 in

SHADE HEIGHT

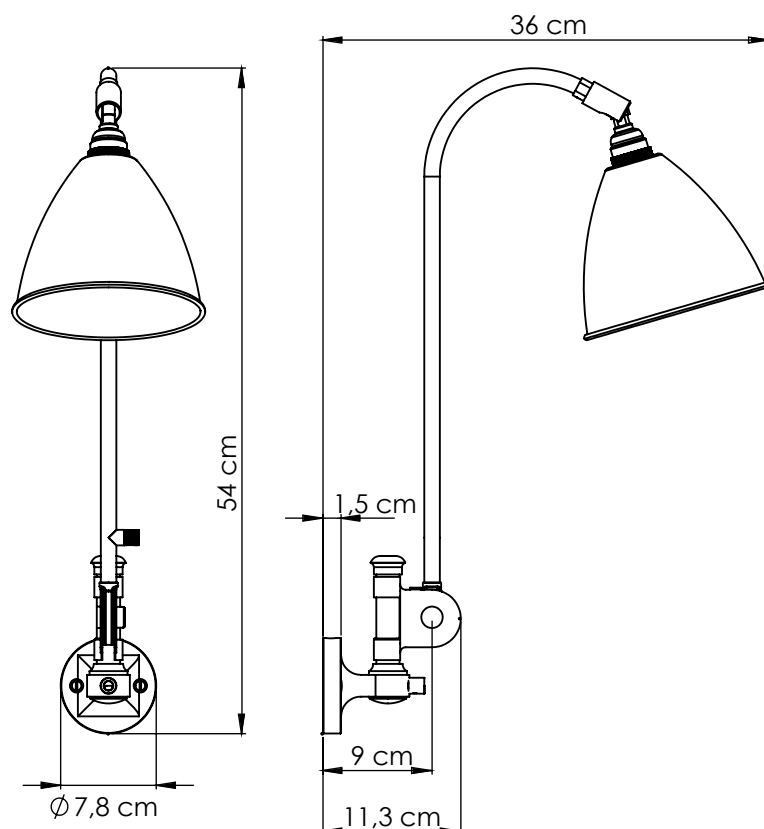
14 cm / 5.51 in

CORD LENGTH

200 cm / 78.74 in

TOTAL WEIGHT

1.02 kg / 2.87 lbs






Packaging

NUMBER OF PARCELS	1
PACKAGING LENGTH	22 cm / 8.66 in
PACKAGING WIDTH	61 cm / 24.01 in
PACKAGING HEIGHT	26 cm / 10.24 in
PACKAGING WEIGHT	1.78 kg / 3.92 lbs
GROSS WEIGHT	2.8 kg / 6.17 lbs

Electrical Specifications

BULB SOCKET	EU – E14
RECOMMENDED BULB	4-6W LED, 470 Lumen
VOLTAGE	240V
BULB INCLUDED	No

Test & Certifications

CERTIFICATION	  
ISOLATION CLASS	II
IP CLASSIFICATION	20

SUSTAINABILITY	Parts can be separated and sorted for recycling
-----------------------	---